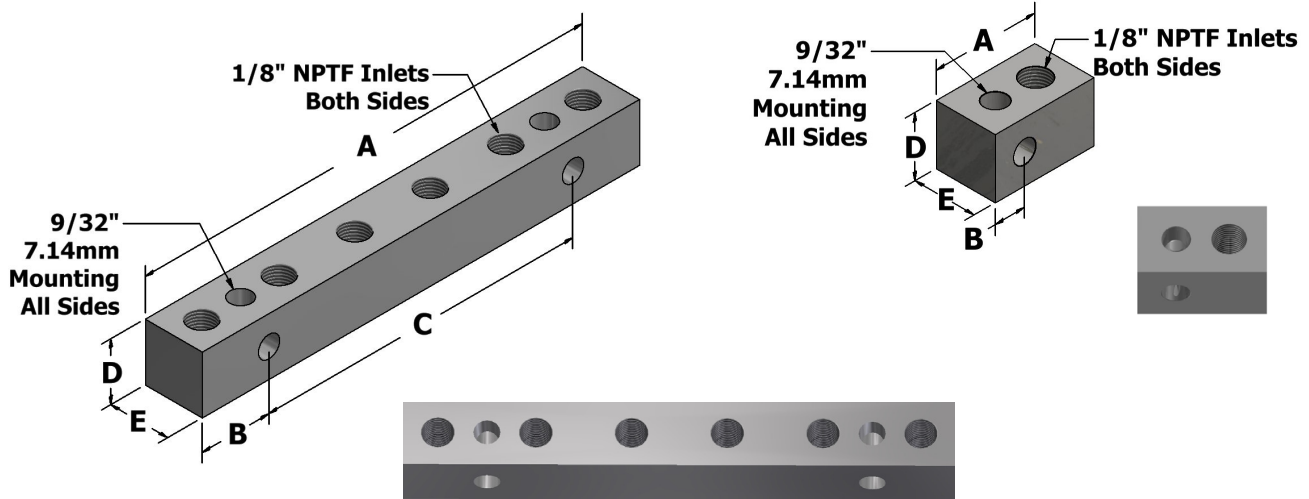


Managed Lube Fitting System

Do you have problems accessing your lubrication fittings? Are your fittings hard-to-reach, in a dangerous location, require removal of guarding, or just inaccessible? Intraflo® has the solution! **Managed Lube Fitting System**. Our Managed Lube Fitting System will focus the hard-to-reach, dangerous, and difficult to access bearing points to one centralized location. Manage your approach with Intraflo® today.

Multi-surface Mount Manifolds

Our multi-surface mount manifolds provide multiple landing points to a centralized location. With one centralized location, bearings can be coupled together using our manifolds, feed lines and lubrication fittings. See pages 8, 9 and 10 for our Fittings and Hose.



Grease Manifolds						
Model No.	Number of Inlets	A In. / mm	B In. / mm	C In. / mm	D In. / mm	E In. / mm
6700249	1	1 1/4 / 31.8	3/8 / 9.5	n/a	3/4 / 19.1	3/4 / 19.1
6700250	2	1 3/4 / 44.5	7/8 / 22.2	n/a	3/4 / 19.1	3/4 / 19.1
6700251	3	2 3/4 / 69.9	7/8 / 22.2	1 / 25.4	3/4 / 19.1	3/4 / 19.1
6700252	4	3 3/4 / 95.3	7/8 / 22.2	2 / 50.8	3/4 / 19.1	3/4 / 19.1
6700253	5	4 3/4 / 120.7	7/8 / 22.2	3 / 76.2	3/4 / 19.1	3/4 / 19.1
6700254	6	5 3/4 / 146.1	7/8 / 22.2	4 / 101.6	3/4 / 19.1	3/4 / 19.1

G
R
E
A
S
E

M
A
N
I
F
O
L
D
S