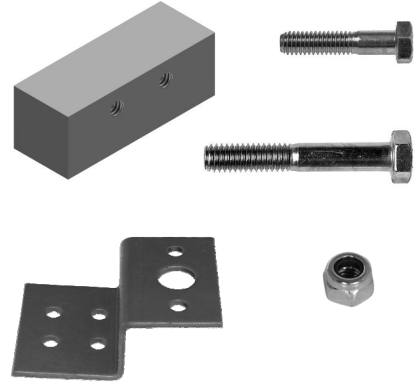


Series Progressive Lubrication System

Valve Mounting Accessories	
Model No.	Description
80001	Weld-On Valve Mount 1/4"-20 Thread
80003	Valve Mounting Bracket
80016	Valve Mounting Bolt 1/4"-20 X 1 3/4" Grade 8
80017	Valve Mounting Bolt 1/4"-20 X 3" Grade 8
80024	1/4"-20 Nylon Locknut (for use with 80003)



System Accessories	
Model No.	Description
80004	Weld Stud 1/4"-20 X 0.75"
80005	Weld Stud 3/8"-16 X 1.0"
80052	Stand Off 3/8"-16 1" OAL
80081	Stand Off 3/8"-16 5/8" OAL
81006	1/2" P-Clamp, Vinyl Coated (to be used with 80005)
81007	3/4" P-Clamp, Vinyl Coated (to be used with 80005)
81008	1" P-Clamp, Vinyl Coated (to be used with 80005)
81009	1-1/4" P-Clamp, Vinyl Coated (to be used with 80005)
81010	1-1/2" P-Clamp, Vinyl Coated (to be used with 80005)
81011	1/2" P-Clamp, Vinyl Coated (to be used with 80004)
81012	3/4" P-Clamp, Vinyl Coated (to be used with 80004)
81013	1" P-Clamp, Vinyl Coated (to be used with 80004)
81014	1-1/4" P-Clamp, Vinyl Coated (to be used with 80004)
81015	1-1/2" P-Clamp, Vinyl Coated (to be used with 80004)
81016	3/8" P-Clamp, Vinyl Coated (to be used with 80004)



ACCESSORIES

Series Progressive Lubrication System

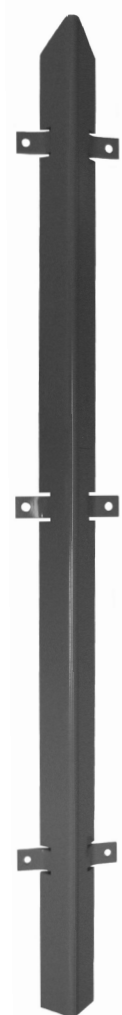
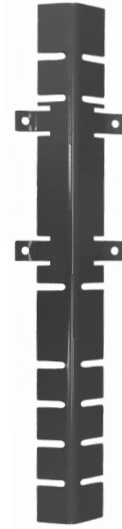
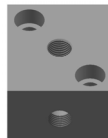
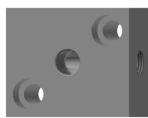
A
C
C
E
S
S
O
R
I
E
S



System Accessories Continued	
Model No.	Description
80024	1/4"-20 Nylon Locknut (to be used with 80004)
80025	3/8"-16 Nylon Locknut (to be used with 80005)
82028	1/2" O.D. Spiral Hose Wrap .062 100' (Black)
82029	5/8" O.D. Spiral Hose Wrap .062 100' (Black)
82030	3/4" O.D. Spiral Hose Wrap .062 100' (Black)
82031	1" O.D. Spiral Hose Wrap .065 100' (Black)
81026	Nylon Zip Ties 120lb, 14" (Black, 100 per package)
81027	Nylon Zip Ties 120lb, 8.5" (Black, 100 per package)
81044	Nylon Zip Ties 50lb, 7.5" (Black, 100 per package)
80045	Pump Mounting Bracket
80067	Remote Fill Bracket for Pump 3/16" Steel
82083	2" Heavy Wall "C" Guard
85046	ATO Fuse Tap
85047	Mini Fuse Tap
85053	ATO Fuse, 5 Amp
85054	Mini Fuse, 5 Amp
85068	ATO Fuse, 10 Amp
85069	Mini Fuse, 10 Amp
85051	M11X1 Inductive Prox. (to be used with 40 and 41 Series Valves)

Series Progressive Lubrication System

System Accessories Continued	
Model No.	Description
82063	48" Boom Guard
82064	26" Dog Bone Guard
85059	M12 Single-ended Cable, 2 m
85060	M12 Single-ended Cable, 5 m
85061	M12 Single-ended Cable, 10 m
85071	M12 Patchcord Female Straight/Female Straight (to be used with 85073)
85072	M12 Patchcord Female Straight/Female Straight (to be used with 85073)
85073	Panel Mount, Illuminated Momentary, 24 VDC Pushbutton
6760212	Bolt-On Tee, plated, 1/8" NPT (F) X 1/8" NPT (F) X 1/8" NPT (F). 9/32" Mounting holes for use with 1/4" diameter bolts.
6760271	Weld-On Tee, raw steel/no plating, 1/8" NPT (F) X 1/8" NPT (F) X 1/8" NPT (F). 9/32" Mounting holes for use with 1/4" diameter bolts.
83040	HD Tube / Hose Cutter
83041	Replacement Blades for HD Tube / Hose Cutter
86055	Repair Kit W/ Hose
86070	Grease Filter



ACCESSORIES